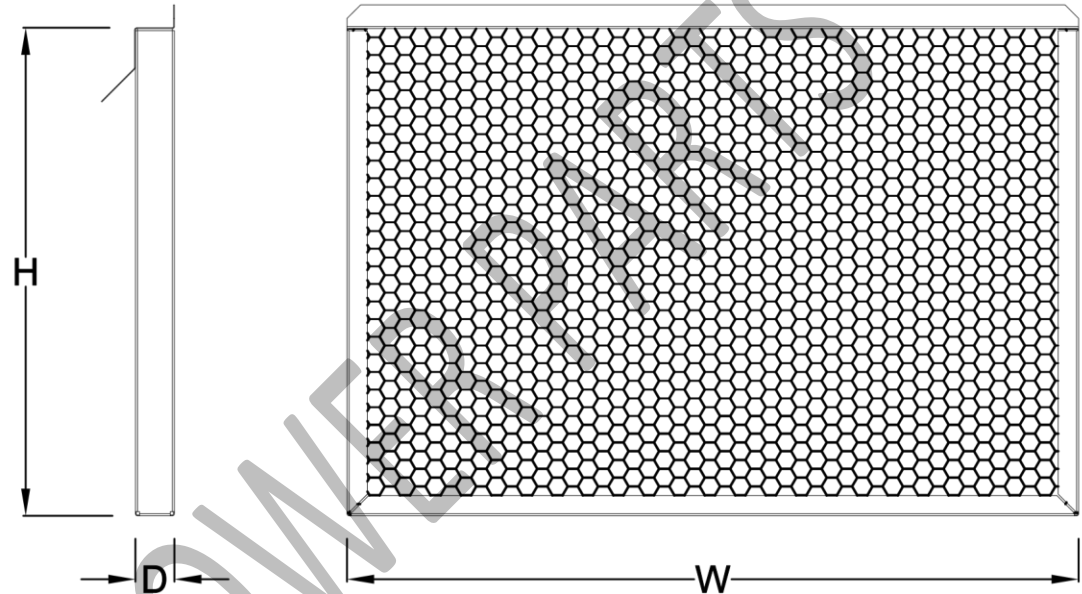
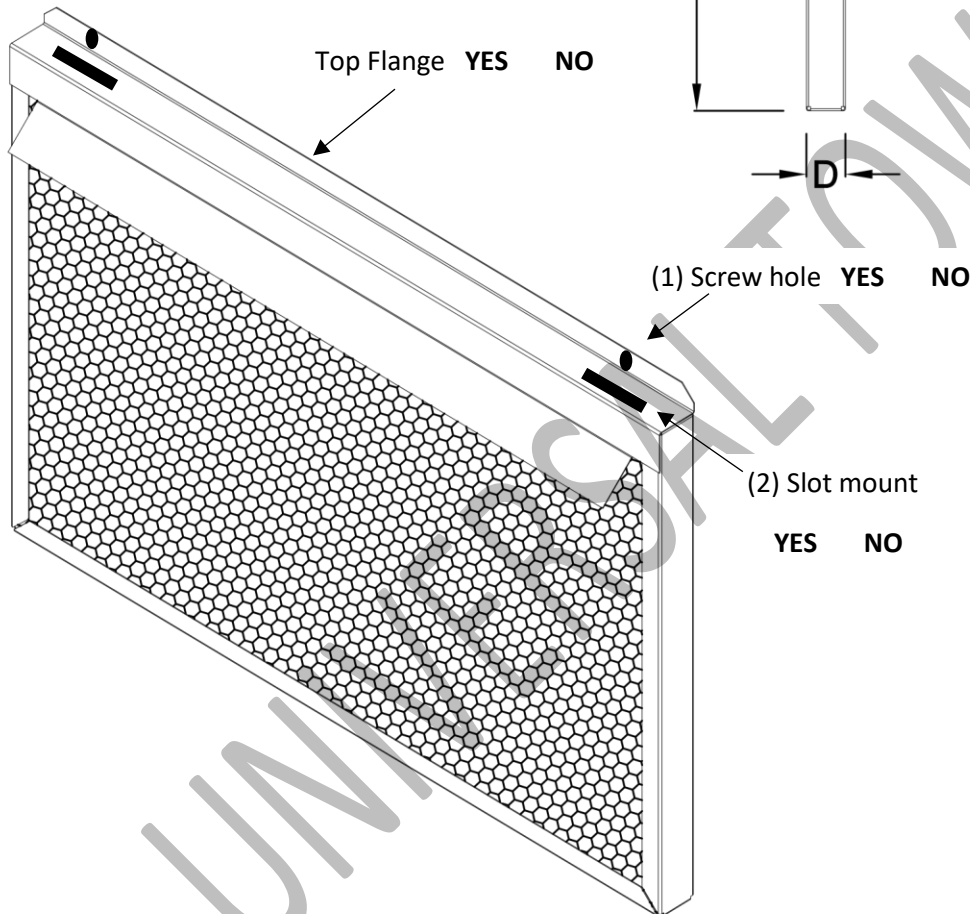




Frames with a top flange mount with either:

1. Screw hole with thumb screw
2. Slot secured by drop down bracket

CIRCLE ONE



Out to Out of Frame Details

HEIGHT		HEIGHT	
WIDTH		WIDTH	
DEPTH		DEPTH	
NO. UNITS		NO. UNITS	
FRAME MATERIAL	Galv.	S. Steel	Other
Model No.			
Serial No.			