

ADDITIONAL VALVE INFORMATION

Solenoid Valve Dimensions

Valve Width (A): **2 9/16"**

Valve Length (B): **4 3/32"**

Valve Height (C): **4 13/32"**

Coil Width (D): **1 3/16"**

Coil Length (E): **1 21/32"**

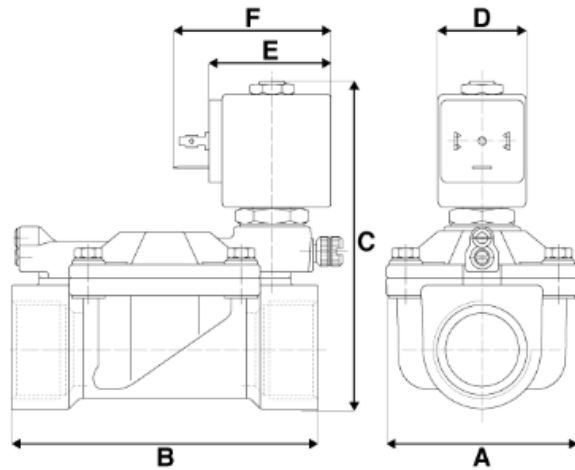
Coil Length (F): **2 1/8"**

Spare Parts

Armature Tube: **AT-A001**

Repair Kit: **RK-W002**

1" SOLENOID VALVE



SOLENOID VALVE DETAILS

Valve Model #W6B19-000-02

Pipe Size: **1"**

Orifice Size: **1"**

Flow Factor: **14.00 Cv**

Power: **8 watts**

Minimum Operating Pressure: **2 psi**

Maximum Operating Pressure: **230 psi**

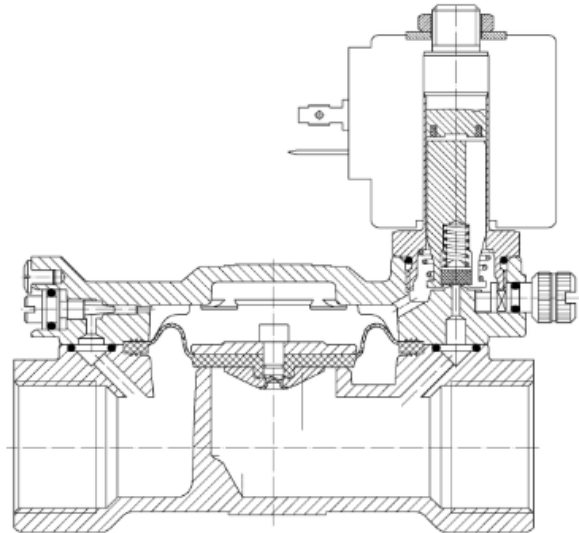
Voltage/Current: **120 V AC**

Valve Sealing Material

Sealing Material: **NBR**

Temperature: **14–195°F**

Medium Examples: **Air, Inert gas, Water**



VALVE MODEL SPECIFICATIONS

Materials of Construction

Body: **Brass**

Armature Tube: **Stainless Steel 300**

Fixed Core: **Stainless Steel 400**

Plunger: **Stainless Steel 400**

Spring: **Stainless Steel 300**

Shading Ring: **Copper**

Orifice: **Brass**

Pipe Threading: **NPT**

Electrical Connection

Rating: **NEMA 4**

Inrush VA: **25.0**

Holding VA: **14.5**

Connector: **Cable grip DIN**